

A

B

C

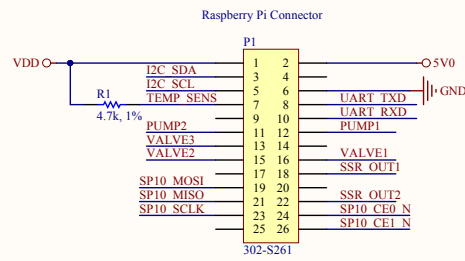
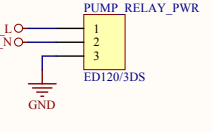
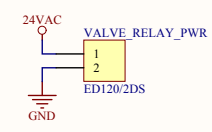
D

A

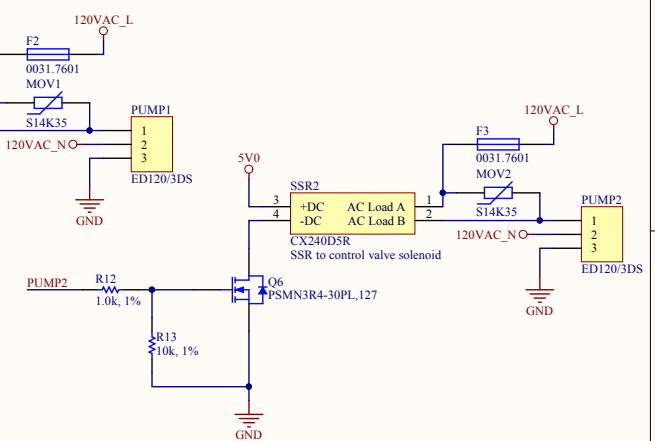
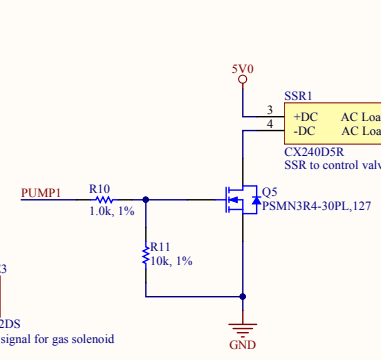
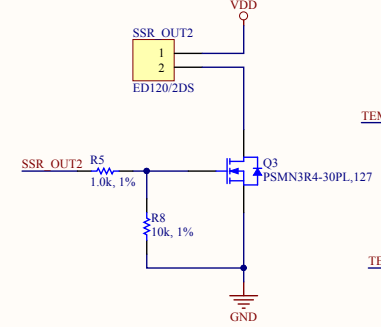
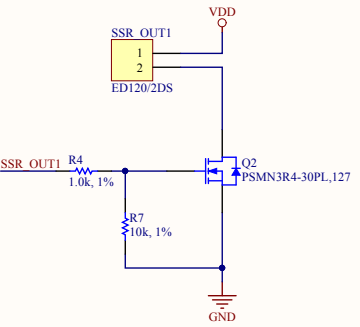
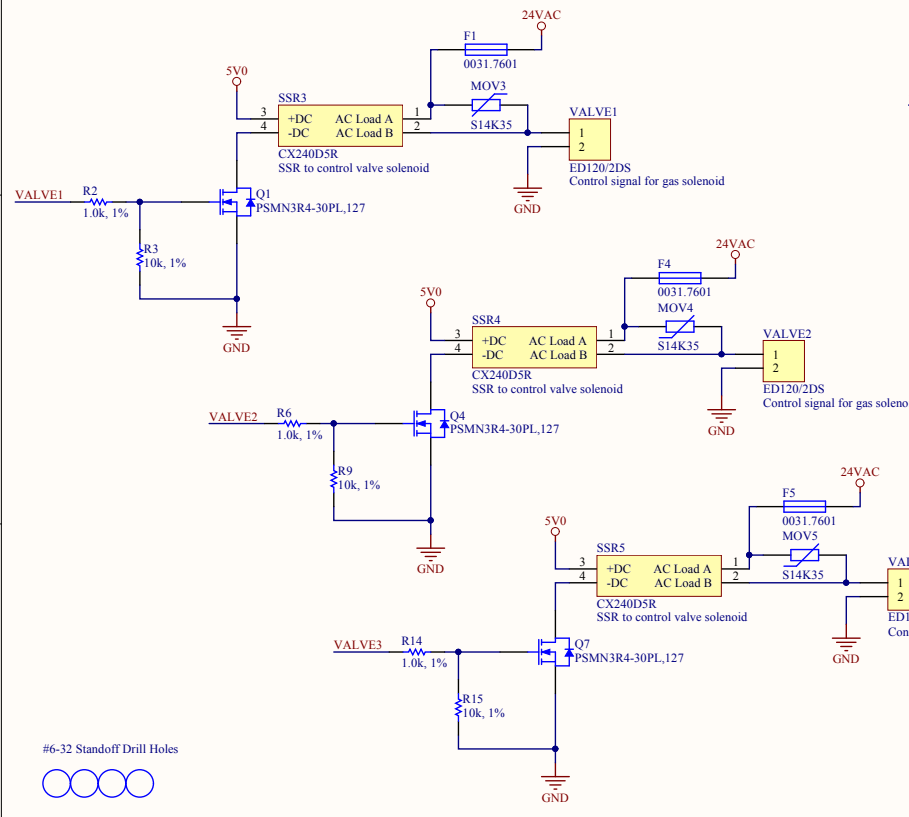
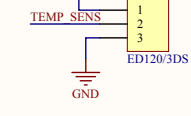
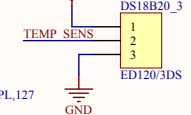
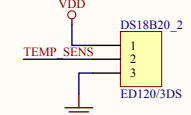
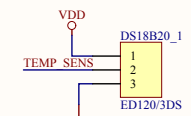
B

C

D



Input from digital temperature sensors



*			Parlor Labs LLC 818 E. Edgewood Dr. Newberg, OR 97132	
Size: B	Number: *	Revision: *		
Date: 11/13/2014	Time: 1:39:25 PM	Sheet: * of *		
File: gas solenoid and pump relay control.SchDoc				